

AUTOMATIC RETURN TURNTABLE

KD-55R KD-55RC(RCL)



INSTRUCTION MANUAL

KENWOOD

TRIO-KENWOOD CORPORATION

©PRINTED IN JAPAN B50-6252-00(K, P, U, M, UE, X, EXT)
87/6 5 4 3 2 1 86/12 11 10 9 8 7

Rear panel safety precautions

<p>CAUTION RISK OF ELECTRIC SHOCK DO NOT OPEN</p>	<p>CAUTION: TO REDUCE THE RISK OF ELECTRIC SHOCK, DO NOT REMOVE COVER (OR BACK). NO USER-SERVICEABLE PARTS INSIDE. REFER SERVICING TO QUALIFIED SERVICE PERSONNEL.</p>
	<p>The lightning flash with arrowhead symbol, within an equilateral triangle, is intended to alert the user to the presence of uninsulated "dangerous voltage" within the product's enclosure; that may be of sufficient magnitude to constitute a risk of electric shock to persons.</p>
	<p>The exclamation point within an equilateral triangle is intended to alert the user to the presence of important operating and maintenance (servicing) instructions in the literature accompanying the appliance.</p>

Before applying power

Introduction

Your choice of this product indicates that you are a devotee to excellence in sound reproduction.

We appreciate your patronage and take pride in the long tradition of quality components, that our company represents.

So that you can get the most out of your unit, we suggest that you take the time to read through this manual before you hook up and operate your system. This will acquaint you with operating features, and system-connection considerations, so that your listening pleasure will be enhanced right from the start. You will notice that in all aspects of planning, engineering, styling, operating convenience and adaptability, we have sought to anticipate your needs and desires.

Keep this manual handy for future reference.

For your records

Record the serial number, found on the back of the unit, in the spaces designated on the warranty card, and in the space provided below. Refer to the model and serial numbers whenever you call upon your dealer for information or service on this product.

Model _____ Serial Number _____

Unpacking

Unpack the unit carefully and make sure that all accessories are put aside so they will not be lost.

Examine the unit for any possibility of shipping damage. If your unit is damaged or fails to operate, notify your dealer immediately. If your unit was shipped to you directly, notify the shipping company without delay. Only the consignee (the person or company receiving the unit) can file a claim against the carrier for shipping damage.

We recommend that you retain the original carton and packing materials for use should you transport or ship the unit in the future.

Important!

U.S.A., Canada, Australia, U.K. and Europe

These units are not equipped with an AC voltage selector switch and the discussion of such a switch that follows should be disregarded.

All other countries

Units shipped to countries other than U.S.A., Canada, Australia U.K. and Europe are equipped with an AC voltage selector switch on the rear panel. Refer to the following paragraph for the proper setting of this switch.

AC voltage selection

This unit operates on 110 — 120 volts or 220 — 240 volts AC. The AC voltage selector switch on the rear panel is set to the voltage that prevails in the area to which the unit is shipped. Before connecting the power cord to your AC outlet, make sure that the setting position of this switch matches your line voltage. If not, it must be set to your voltage in accordance with the following direction.

Note: Our warranty does not cover damage caused by excessive line voltage due to improper setting of the AC voltage selector switch.

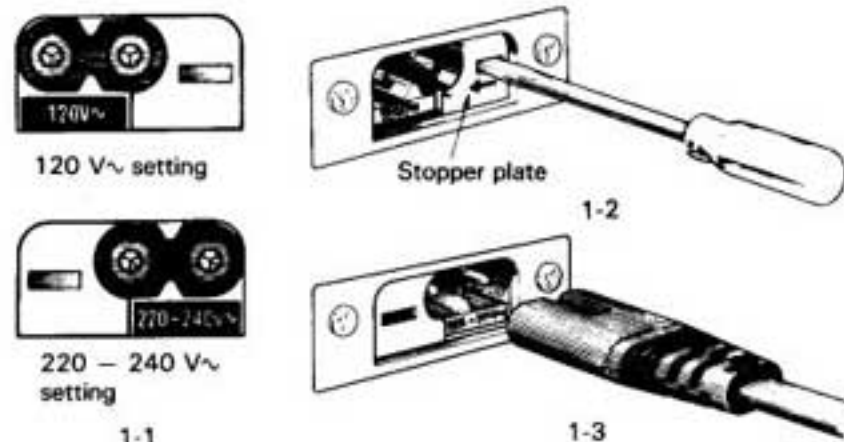


Fig. 1

1. Before plugging in this unit, make sure that the position of the AC voltage selector conforms to your line (mains) voltage. If not, it must be reset. See Fig. 1-1.
2. To reset the selector, slide the stopper plate to the opposite side with a screwdriver or other pointed tool. See Fig. 1-2.
3. Insert the power cord securely. See Fig. 1-3.

For United Kingdom

The mains plug must be removed from the wall socket prior to any internal examination.

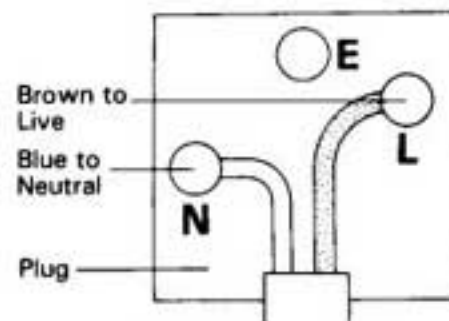
Important

The wires in this mains lead are coloured in accordance with the following code:

Blue Neutral
Brown Live

The wires in this mains lead must be connected to the terminals in the plug as follows:

Wire colour	Plug terminal marking
Blue	N or Black
Brown	L or Red



- Notes:**
- 1) If a 13-amp plug is used, this must be fitted with a 5-amp fuse.
 - 2) If a 3-pin plug with earthing contact is used, no wire must be connected to the E terminal.

WARNING:

TO PREVENT FIRE OR ELECTRIC SHOCK, DO NOT EXPOSE THIS APPLIANCE TO RAIN OR MOISTURE.

Operating instructions

- Check that the packing carton contains all the component parts shown in the figure below before you begin to assemble the turntable.
- See page 4 for assembly procedures.
- You will find the smaller parts inside the polystyrene foam carton.
 - EP adaptor
 - Dust cover hinges x 2

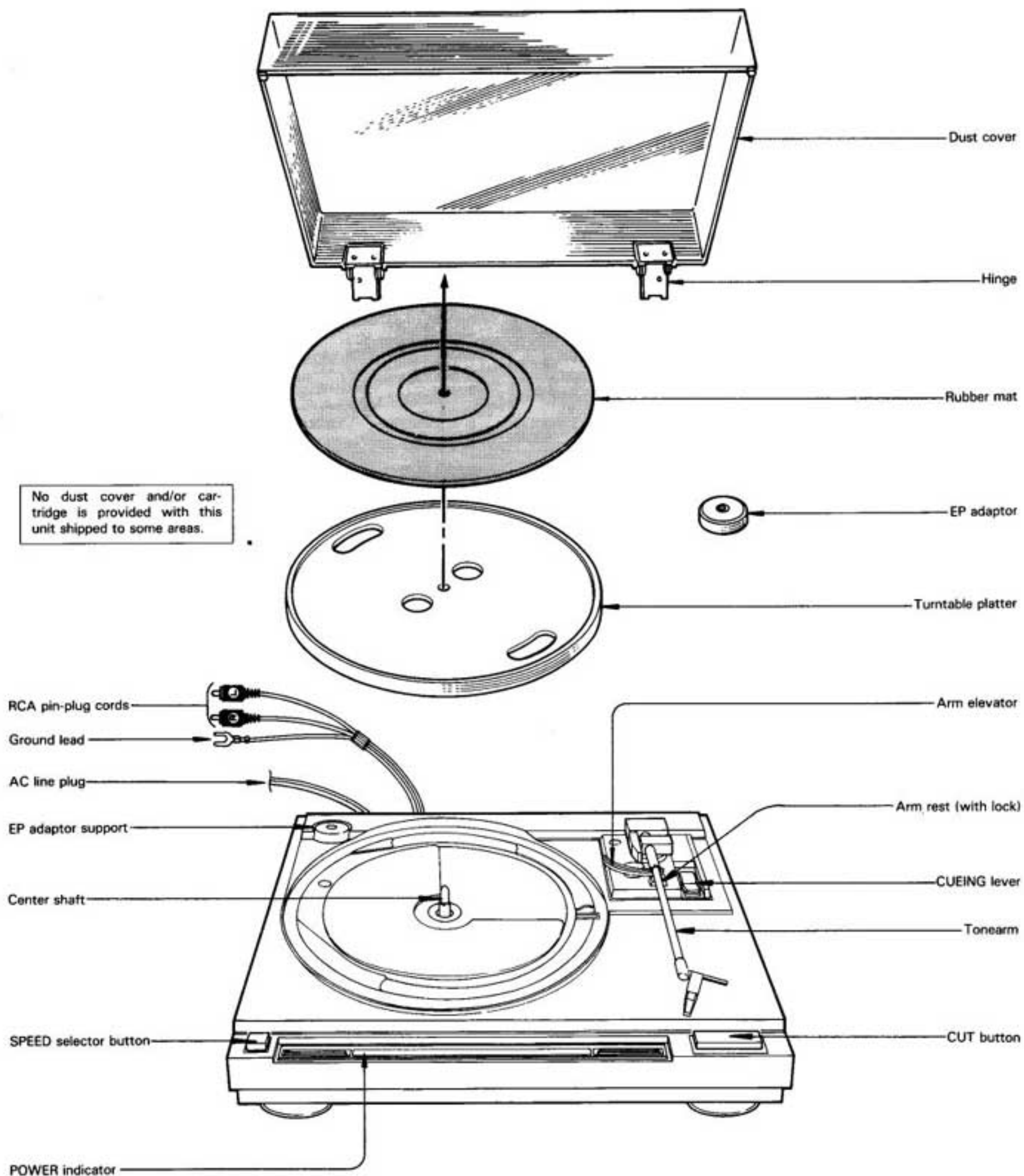


Fig. 2

Assembly

Units shipped to some areas are sold without phono cartridge. Before proceeding with assembly, install the cartridge in the head-shell as shown on page 5. When your unit is equipped with a V-62 (V-63: USA and Canada) cartridge, proceed as follows. Be sure to follow steps 1 ~ 3 in the sequence given.

1. Place the turntable platter and rubber mat on the center shaft.

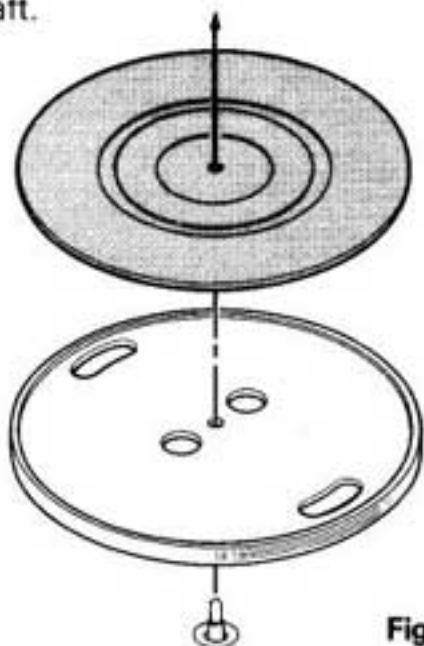


Fig. 3

2. Install the dust cover as shown below.

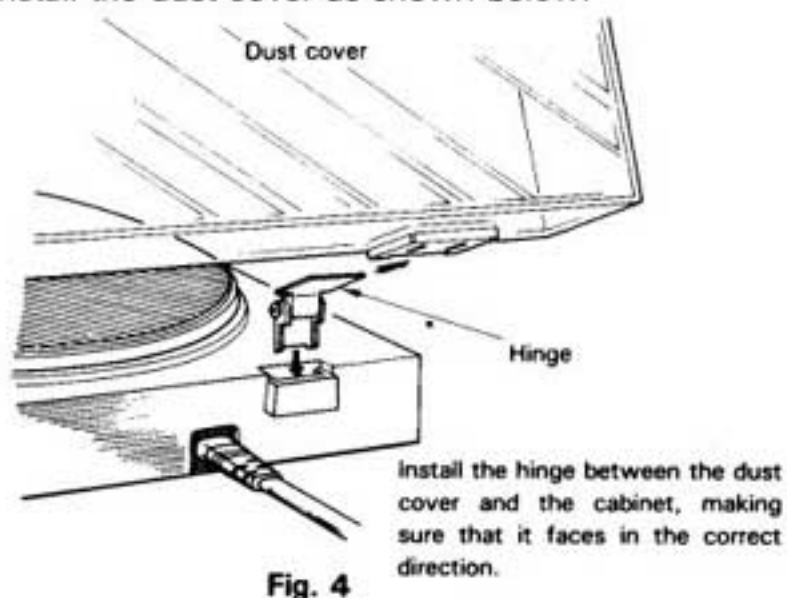


Fig. 4

Install the hinge between the dust cover and the cabinet, making sure that it faces in the correct direction.

3. Turn off the power to your amplifier or receiver. Connect the RCA pin-plug cords, then the AC cord.

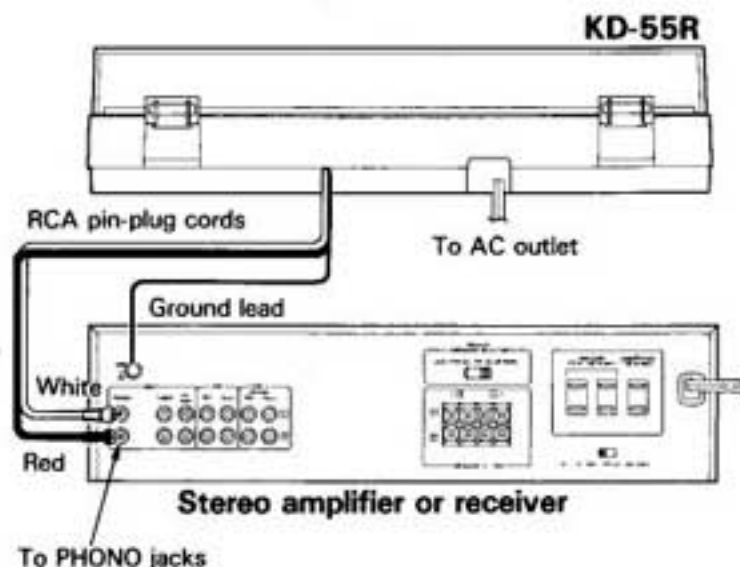


Fig. 5

Note:

For proper setup, refer to installation notes on page 6.

Setting the amplifier

This unit is equipped with the MM (VM: USA, Canada) cartridge, T4P standard. Connect the RCA pin-plug cords of this unit to the PHONO MM jacks of the amplifier or set the cartridge load selector of the amplifier to MM.

Operating instructions

1. Before operating the turntable, recheck the connections to the amplifier and amplifier control settings to see that they have been made correctly.
2. Connect the AC cord to an AC outlet. Set the CUEING lever to "▼". Swing the tonearm over the starting position. The turntable platter will start rotating. After about 10 seconds, the turntable platter will stop.

Note:

As the tonearm may not return to the arm rest automatically during first operation, always perform the above procedures when the unit is relocated.

3. Place a record on the turntable platter. If an EP record is used, the adaptor that is supplied must first be placed onto the center shaft.
4. Set the SPEED selector button to 33 or 45, whichever corresponds to the correct speed for the record.

5. Release the tonearm from the arm rest lock and confirm that the CUEING lever is set to "▼".
6. Swing the tonearm over the starting position (The POWER indicator will light). Set the CUEING lever to "▼".
The stylus will lower onto the record and playback will commence.
7. At the end of play, the tonearm will automatically return to the arm rest. Simultaneously, the platter will stop turning.

AUTO-CUT operation

If you wish to stop reproduction part way through a record, push the CUT button firmly. The tonearm will return automatically to the arm rest, and the turntable platter will stop turning.

Cueing operation

When it is desired to interrupt record play, set the CUEING lever to "▼". The tonearm will rise, and will remain in the raised position as the record continues to turn.

When the CUEING lever is again set to "▼", the stylus will descend and record play will resume at approximately the same point where it was cut off.

The CUEING lever should always be handled carefully. Rough handling may cause stylus position to shift away from the point of interruption.

Operating notes

1. Do not operate turntable in the auto mode without placing a record on it.

Maintenance

Stylus life

The stylus point is very delicately made and it should be handled with great care. Dust accumulating at the tip should be removed with a soft brush by brushing off lightly. A stylus is good for playing a 30 cm (12 inch) LP record about 500 times, but this varies greatly depending on how it is used.

A worn stylus will cause treble tones to increase in harshness. The stylus should be replaced as soon as this becomes noticeable. This will prevent record wear.

Stylus replacement

A replacement stylus can be obtained from your local dealer. Always obtain the specified stylus N-62 (N-63: USA and Canada).

When replacing the stylus, take care not to damage the stylus tip. Remove the cartridge locking screw and pull out the cartridge from the tonearm. Fig. 6 shows how to replace the stylus.

Note:

Be sure to turn off the power of the amplifier when replacing the stylus.

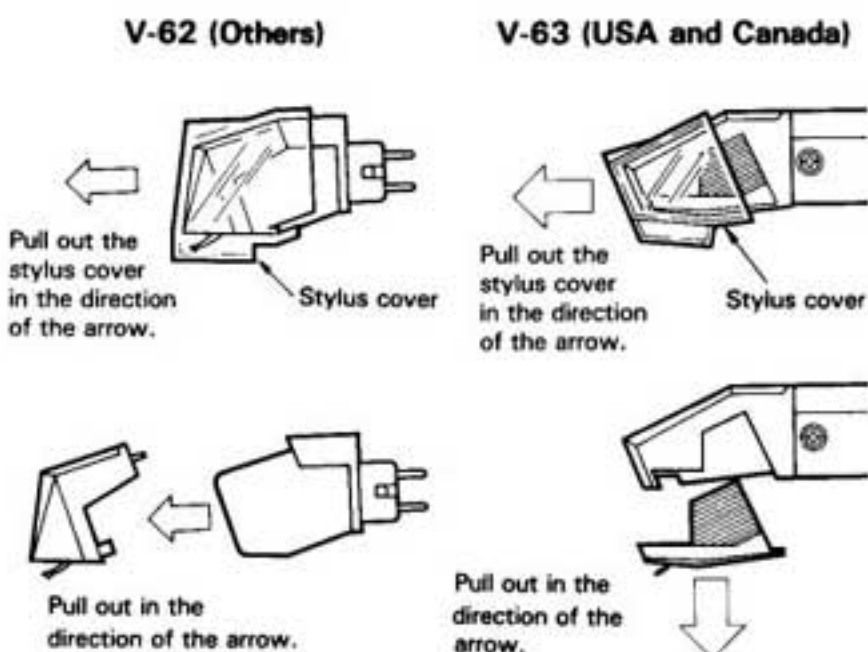


Fig. 6

2. Auto-return action cannot be expected at the end of record play when playing off-size records and phono sheets. In such cases, the CUT button must be used to return the tonearm to the arm rest.

Play start zone

Record play cannot be started within a radius of 63 mm (2-1/2") from the center of the record.

After record play

Always secure the tonearm to the arm rest lock and mount the stylus cover to protect the stylus tip.

This unit is not completely switched off from the supply mains while the mains plug of the unit is connected to the AC outlet.

How to replace the cartridge

1. Remove the cartridge locking screw. (To protect the stylus, remove the stylus assembly beforehand.)
2. Pull out the cartridge from the tonearm.
To install the cartridge, align the pins of the cartridge with the connector of the tonearm and securely insert.

With this unit, an MC type cartridge cannot be used.

Record handling

When handling records, the sound grooves must not be touched with the fingers. Fingerprints on the sound grooves will soon collect dust. This can cause noise and excessive stylus wear. Therefore, the record should be carefully wiped with a good record cleaner before using.

Records must not be exposed to direct sunlight, heat radiating materials, dust, and moisture. They must not be piled up. Vertical storage is recommended. Careless storage will result in warped and damaged records.

Cleaning the cabinet and dust cover

Clean the cabinet and dust cover gently with a dry cloth or silicone cloth. In case of stubborn soil, wipe with a cloth dampened in soap suds or mild detergent and well wrung out.

Never use thinner, alcohol, benzine or other volatile liquids.

Motor lubrication

The built-in motor does not require lubrication.

Periodic check-up

Because a turntable is a mechanical device it is subject to the effects of wear and misadjustment that occurs due to normal handling. Even if your unit appears to function normally, a periodic check-up at intervals of two years or so is recommended to ensure a long service life and proper operation. Check with your dealer or authorized service representative.

Safety precautions

Service or modifications

Do not remove the cabinet or touch internal parts. Refer all service to qualified service personnel. Unauthorized modifications can result in a dangerous shock hazard and can void the warranty.

Power cord

Always insert or remove the power plug from the AC outlet by grasping the plug body. Never pull or stretch the cord. Take care that the cord is not subject to traffic or bent sharply around furniture. Keep heavy objects off the cord; never route it under rugs, and avoid the use of extra extension cords. Attention to these precautions will avoid fire or shock hazards.

Installation precautions

- a) Avoid locations subject to direct sunlight.
- b) Avoid high or low temperature extremes.
- c) Keep the unit away from heat radiating sources.
- d) Choose a location that is relatively free of vibration or excessive dust.
- e) Make sure power is off before making any system connections.
- f) Always place the unit horizontally.

In case of difficulty

If your unit should not perform as expected, consult the table below to see if the problem can be corrected before seeking help from your dealer or service representative.

Symptom	Cause	Remedy
No sound from both left and right channels or one channel.	1. Turntable output cable or cables disconnected. 2. The function switch of the amplifier is not set to PHONO MM.	1. Check connections to amplifier. 2. Set the function switch to PHONO MM.
Loud hum, no music.	Poor connection of turntable output cables.	Make solid connections to amplifier.
Loud hum with music.	1. Turntable output cable picking up hum from AC cord. 2. The ground wire of the turntable is not connected to GND terminal of the amplifier.	1. Separate output cables from AC cord or reverse AC cord plug. 2. Connect the ground wire to the GND terminal of the amplifier.
Howling drowns out music when volume is increased.	Speaker vibration is picked up by turntable.	Separate turntable from speakers.
Turntable platter does not turn.	Poor AC plug contact.	Check connection. Make sure AC outlet is active.
Poor tracking.	Excessive dust on record or stylus.	Remove dust from stylus or record.

Specifications

Motor and turntable

Drive System.....	Direct Drive
Motor.....	Coreless & Slotless Motor
Turntable Platter.....	30.0 cm (12") Diameter
Speeds.....	2 Speeds, 33-1/3 and 45 rpm.
Wow & Flutter.....	Less than 0.028% (WRMS) Less than 0.05% (DIN)
S/N (Rumble).....	DIN: 43 dB (DIN A) DIN: 74 dB (DIN B)

Tonearm

Type.....	Static-Balanced Straight Tonearm
Effective Arm Length.....	225 mm (8-7/8")
Over-Hang.....	15 mm (9/16")
Tracking Error.....	+2°50' ~ -2°
Usable Cartridge.....	T4P Type
Compliance.....	7×10^{-6} cm/dyne (V-63)

Cartridge

Furnished Cartridge.....	V-62 (V-63: USA and Canada)
Stylus.....	N-62 (N-63: USA and Canada) with 0.6 mil Diamond

Frequency Response.....	20 Hz to 20,000 Hz
Channel Separation.....	Better than 22 dB (1,000 Hz)
Output Voltage.....	2.3 mV (1,000 Hz, 5 cm/sec.)
Output Balance.....	2 dB (1,000 Hz, 5 cm/sec.)
Load Impedance.....	47 k ohms

Miscellaneous

Power Requirements.....	AC 120 V, 60 Hz (U.S.A. & Canada Models) AC 220 V, 50 Hz (European Models) AC 240 V, 50 Hz (U.K. and Australia Models) AC 110-120 V/220-240V, 50/60 Hz (Others)
Power Consumption.....	8 watts
Dimensions.....	W 420 mm (16-9/16") H 118 mm (4-5/8") D 365 mm (14-3/8")
Weight (Net).....	3.5 kg (7.7 lb)
(with dust cover)	4.0 kg (8.8 lb)

Note:

We follow a policy of continuous advancements in development. For this reason specifications may be changed without notice.

KENWOOD